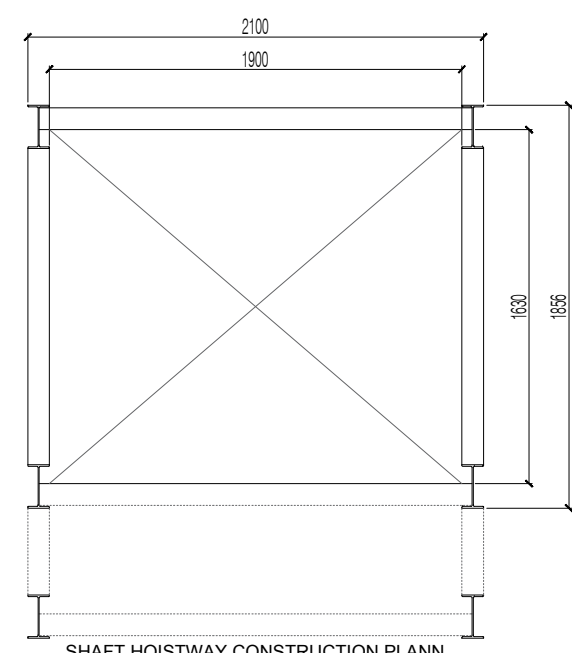
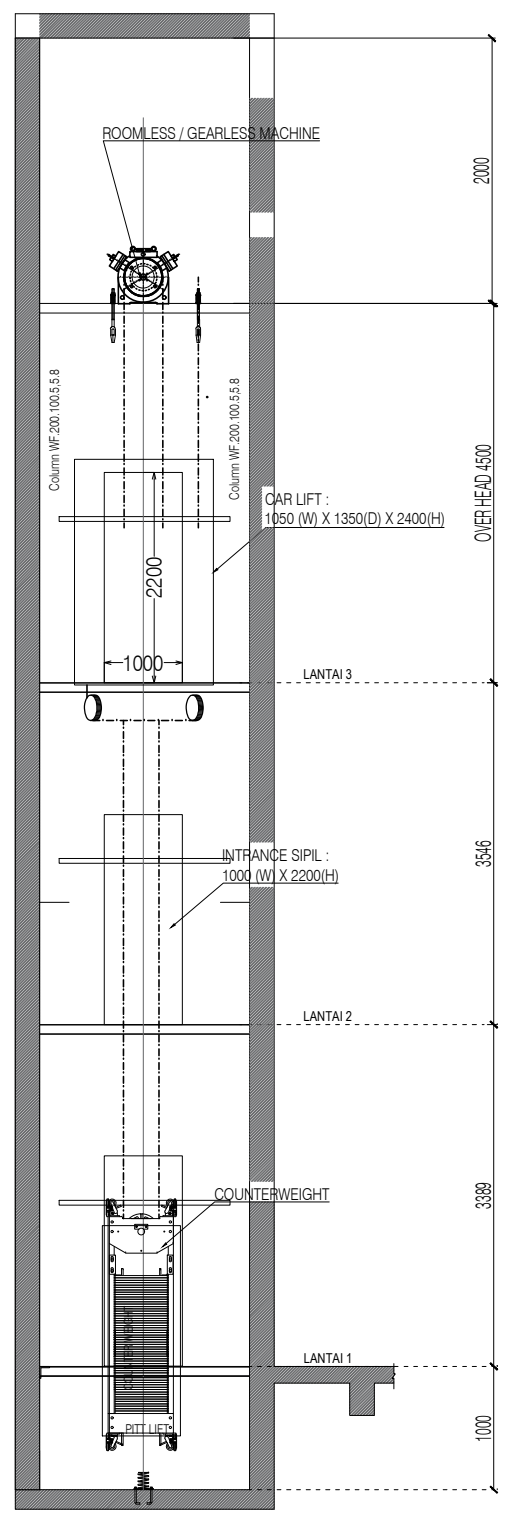


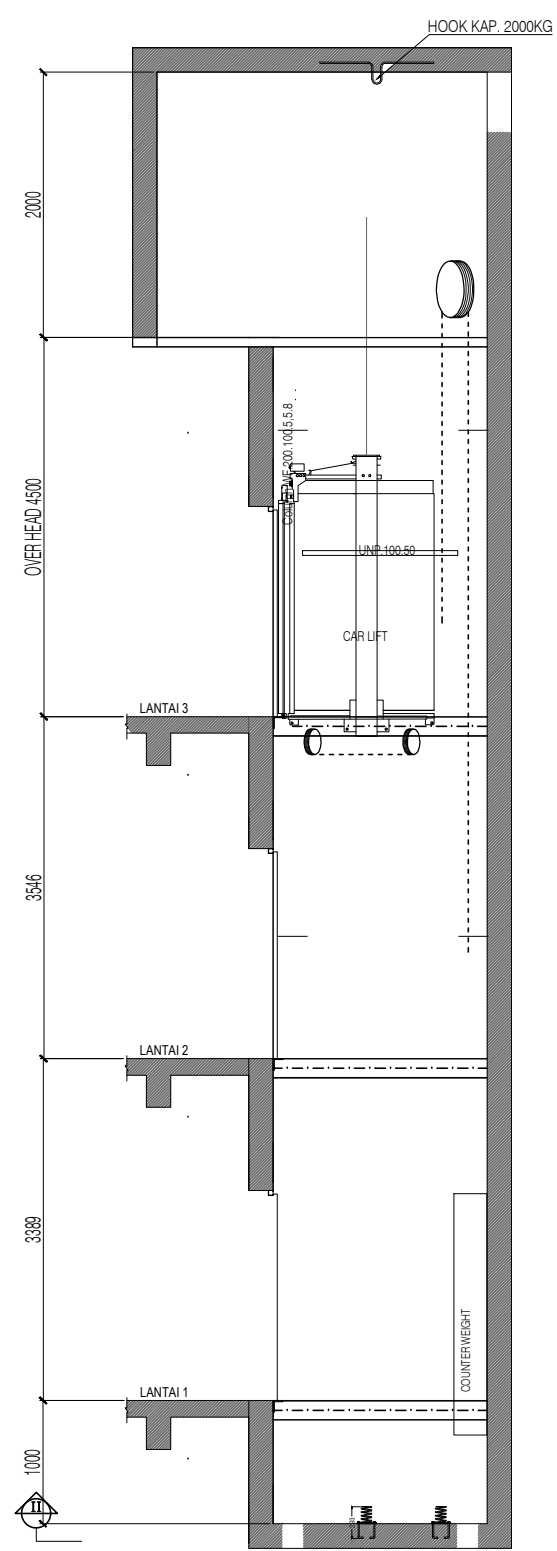
HOISTWAY PLANN & ELEV. SPECT



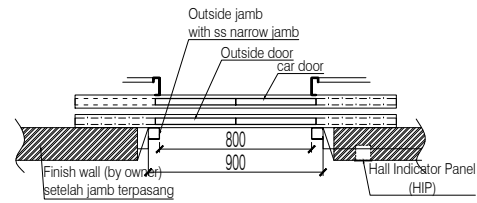
SHAFT HOISTWAY CONSTRUCTION PLANN



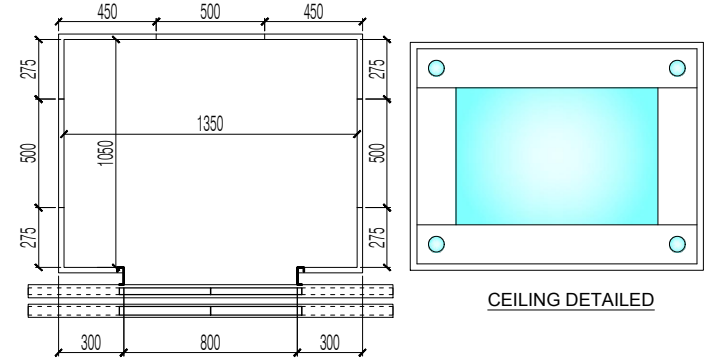
DETAIL VIEW I : SECTION OF HOISTWAY FRONT VIEW



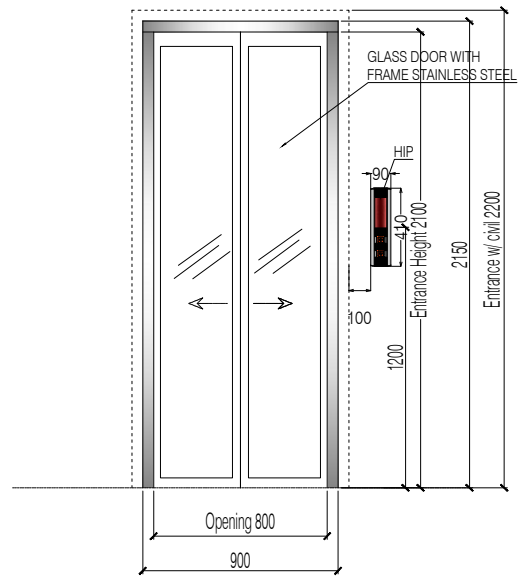
DETAIL VIEW II : SECTION OF HOISTWAY SIDE VIEW



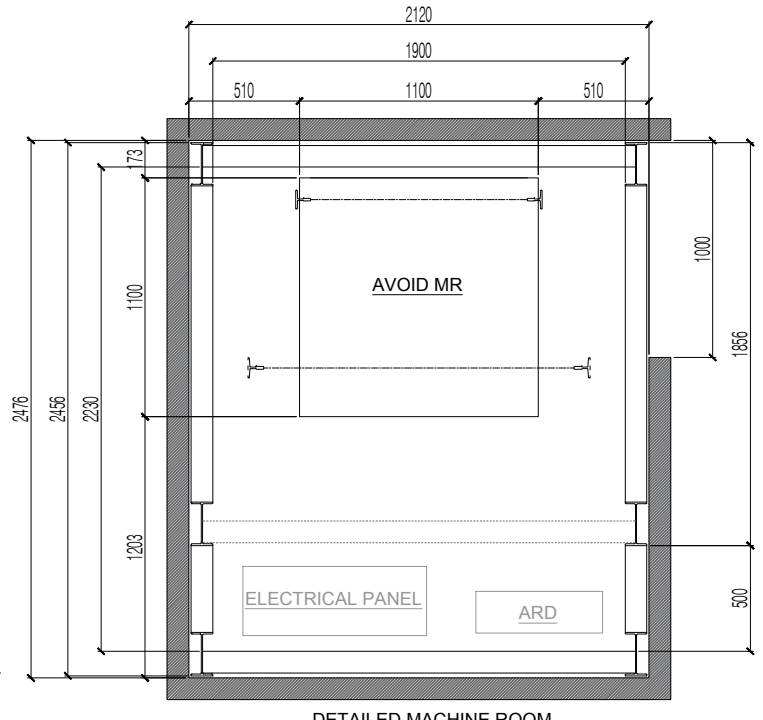
ENTRANCE PLANN



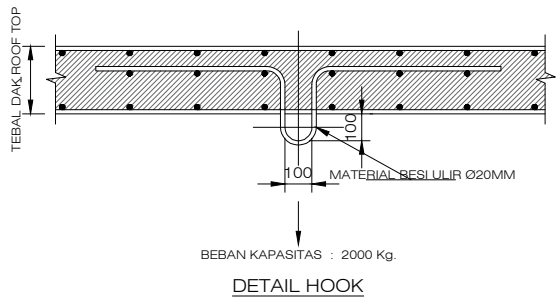
CABIN DETAILED WITH SS HL MIRROR COMBINED



OPENING ENTRANCE PLANN WITH CENTRE OPENING



DETAILED MACHINE ROOM



DETAIL HOOK

SPESIFIKASI

ELEVATOR TYPE :	HOME ELEVATOR
LOAD CAPACITY (Kg) :	630 Kg
SPEED :	30 MPM
OPENING MODE :	CENTRE OPENNING
DOOR NET SIZE (mm) :	800(w) x 2100(H)
CAR NET SIZE (mm) :	1350(w)x1050(d)x2400(h)
OVERHEIGHT (mm) :	4500 (H)
PITT DEPTH (mm) :	1000 mm
TRAVELLING HEIGHT (mm) :	± 20000 mm
FLOOR / STOP :	3 / 3
MACHINE TYPE :	ROOMLESS MACHINE
MOTOR POWER (Kw) :	3 - 4 KW
RATED CURRENT (A) :	
MAIN POWER PUPPLY :	380V AC 50HZ 3P
LIGHT POWER SUPPLY :	220V 50HZ
SHAFT HOISTWAY :	2120(W) X 1876(D)
MACHINE ROOM (H) :	2120(W)X2476(D)X2000(H)



PROYEK/ PROJECT
**CLINIC ANTASARI
JAKARTA SELATAN**

GAMBAR/ TITLE
**DESIGN OF :
HOME LIFT 630KG-
3FLOOR**

SKALA/ SCALE	—
TANGGAL/ DATE	03 AGUSTUS 2021
PERENCANA/ ARCHITECT	
DIGAMBAR/ DRAWN	N.N
DIPERIKSA/ CHECKED	
DISETUJUI/ APPROVED	
CUSTOMER APPROVAL	PREPARED