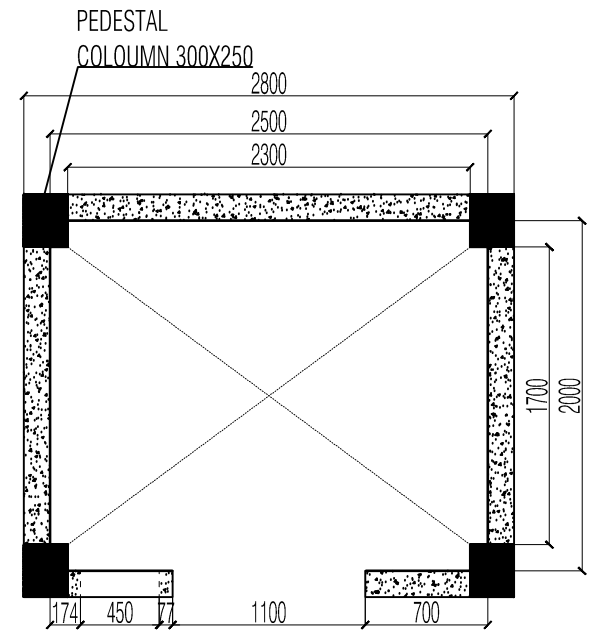
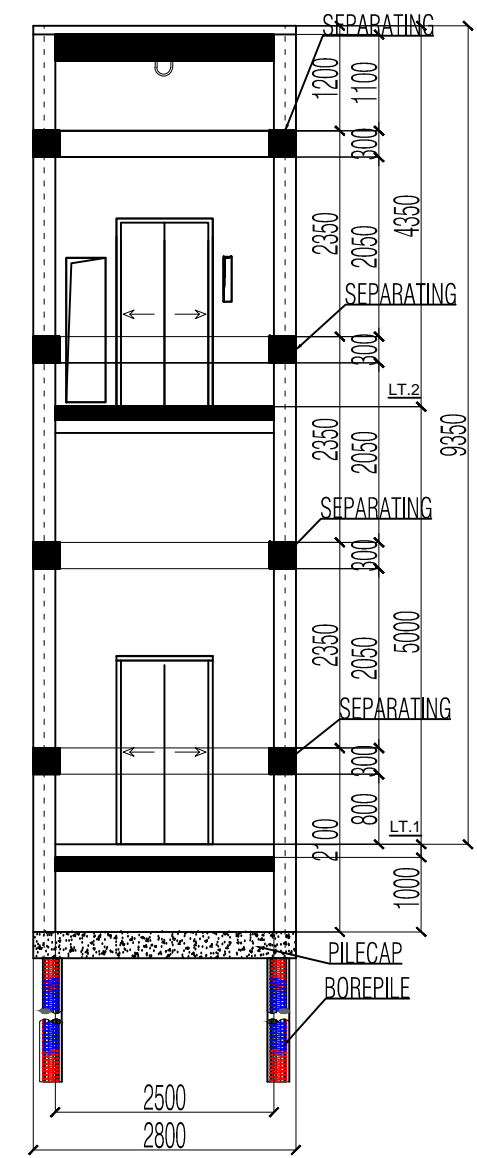


SHAFT HOISTWAY & ELEVATOR SPECIFICATION

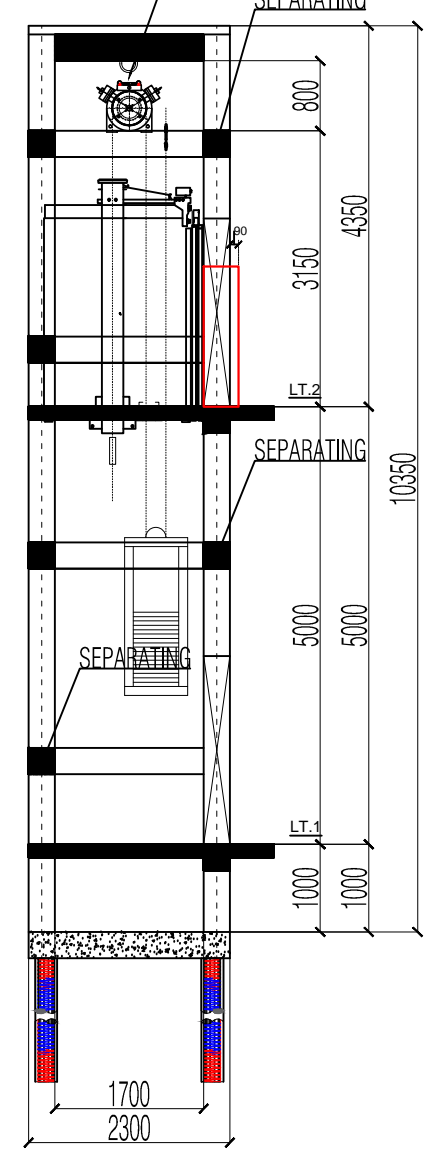
Control panel Box
di Lt. 2



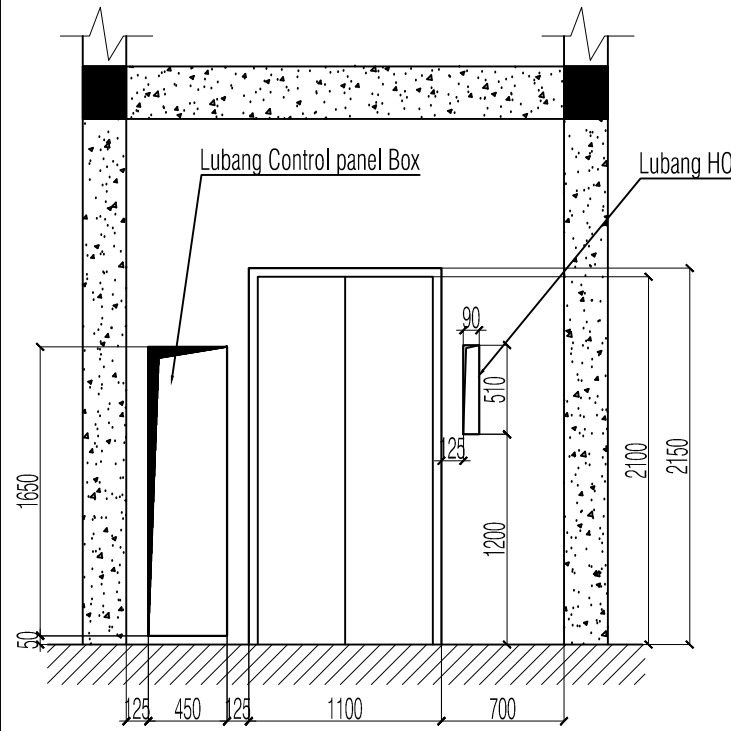
SHAFT HOISTWAY (CIVIL & STRUCTURE PLANN)



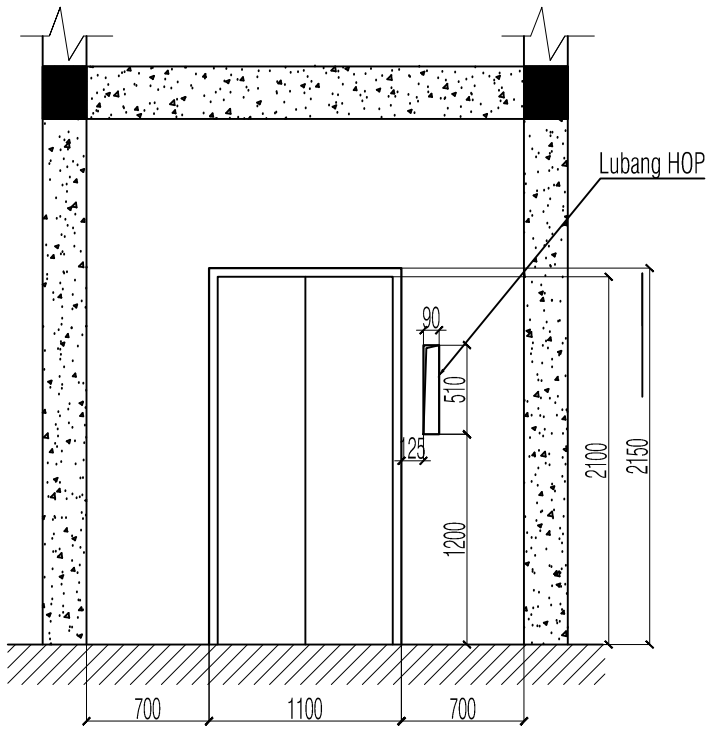
SECTION OF HOISTWAY PLANN I
FRONT VIEW



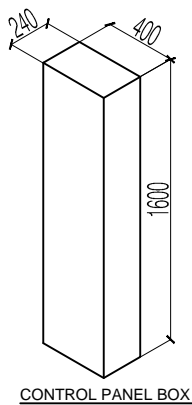
SECTION OF HOISTWAY PLANN II
SIDE VIEW



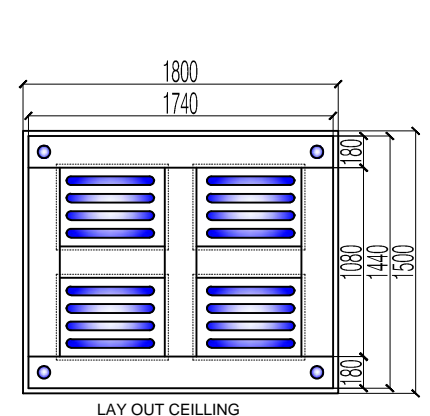
DETAIL OPENNING PLANN (AUTOMATIC CENTRE OPENNING)
LANTAI 2



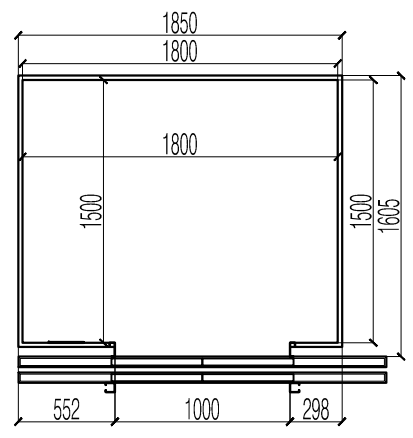
DETAIL OPENNING PLANN (AUTOMATIC CENTRE OPENNING)
LANTAI 1



CONTROL PANEL BOX



LAY OUT CEILING



LAY OUT WALL PANEL

SPESIFIKASI

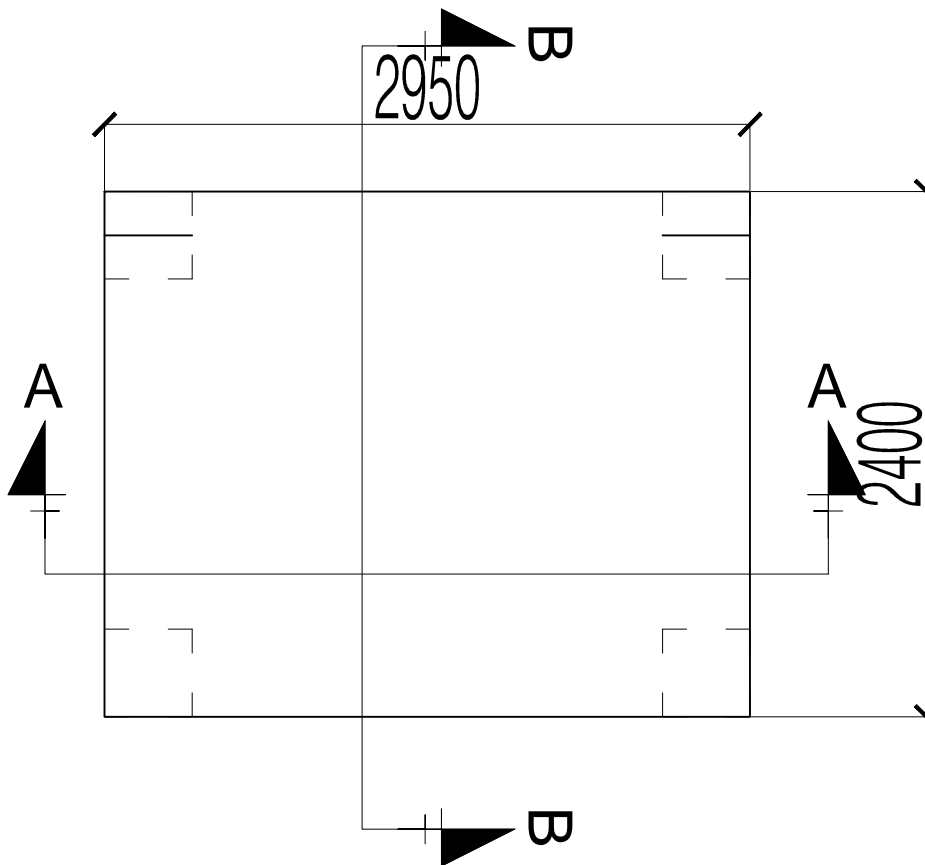
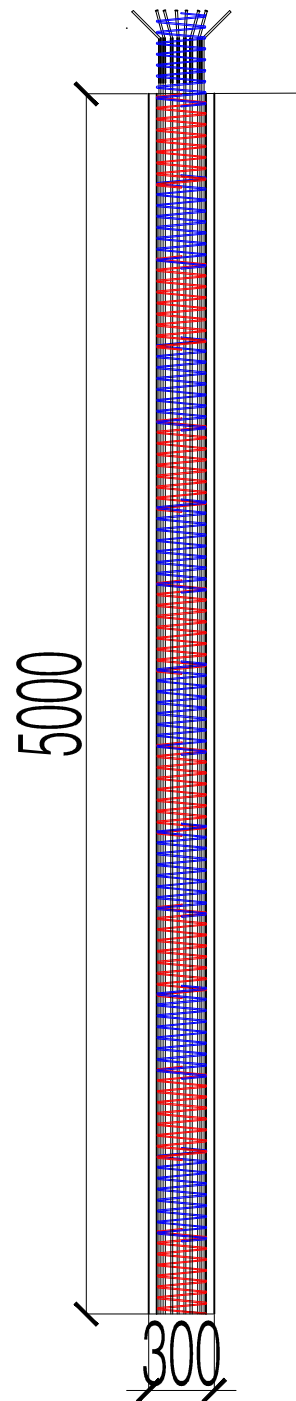
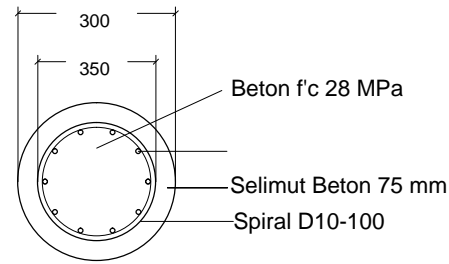
ELEVATOR TYPE : PASSENGER LIFT
LOAD CAPACITY (Kg) : 1150 Kg
SPEED : 1 M/S
OPENING MODE : CENTRE OPENNING
DOOR NET SIZE (mm) : 1000(w) x 2100(H)
CAR NET SIZE (mm) : 1800(w)x1500(d)x2300(h)
OVERHEIGHT (mm) : 4350 (H) (Recommended)
PITT DEPTH (mm) : 1000 mm
HF5J9@@B; ' < 9< < Hfl a L.' - '%\$SS'a a
FLOOR / STOP : 2 / 2
MACHINE TYPE : ROOMLESS MACHINE
MOTOR POWER (Kw) :
RATED CURRENT (A) :
MAIN POWER PUPPLY : 380V AC 50HZ 3P
LIGHT POWER SUPPLY : 220V 50HZ
SHAFT HOISTWAY : 2500(W) X 2000(D)
MACHINE ROOM : -



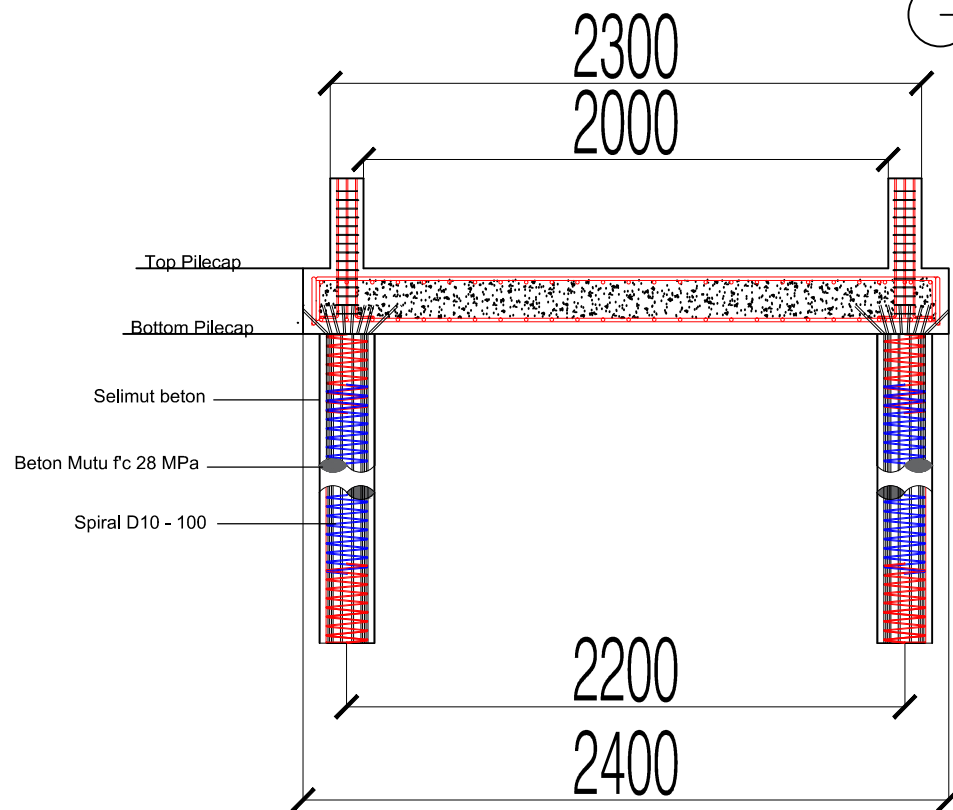
PROYEK/ PROJECT
DIREKTORAT JENDRAL KEBUDAYAAN
GALERI NASIONAL REPUBLIK INDONESIA

PERENCANAAN GEDUNG A DAN B
GALERI NASIONAL REPUBLIK INDONESIA
PENGADAAN ELEVATOR UNIT 1

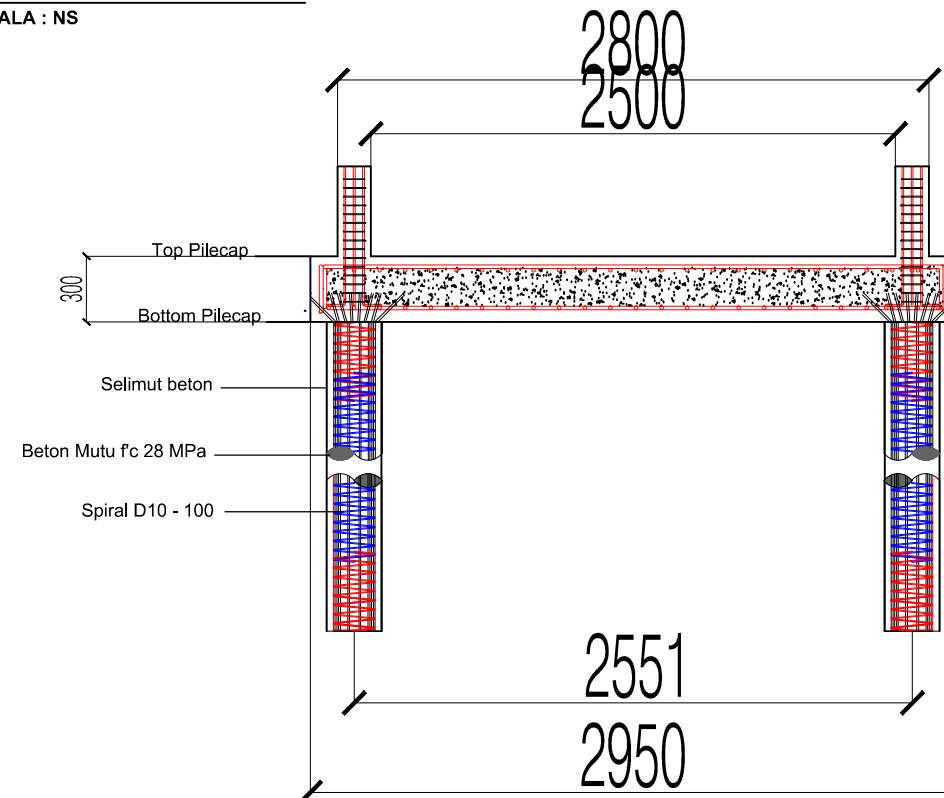
SKALA/ SCALE	-
TANGGAL/ DATE	05 September 2023
PERENCANA/ ARCHITECT	
DIGAMBAR/ DRAWN	KAMALUDIN, ST
DIPERIKSA/ CHECKED	ZULFIKRI, SE
DISETUJUI/ APPROVED	
CUSTOMER APPROVAL	PREPARED



LAY OUT PILECAP
SKALA : NS



POTONGAN B
SKALA : NS



POTONGAN A
SKALA : NS

SPESIFIKASI

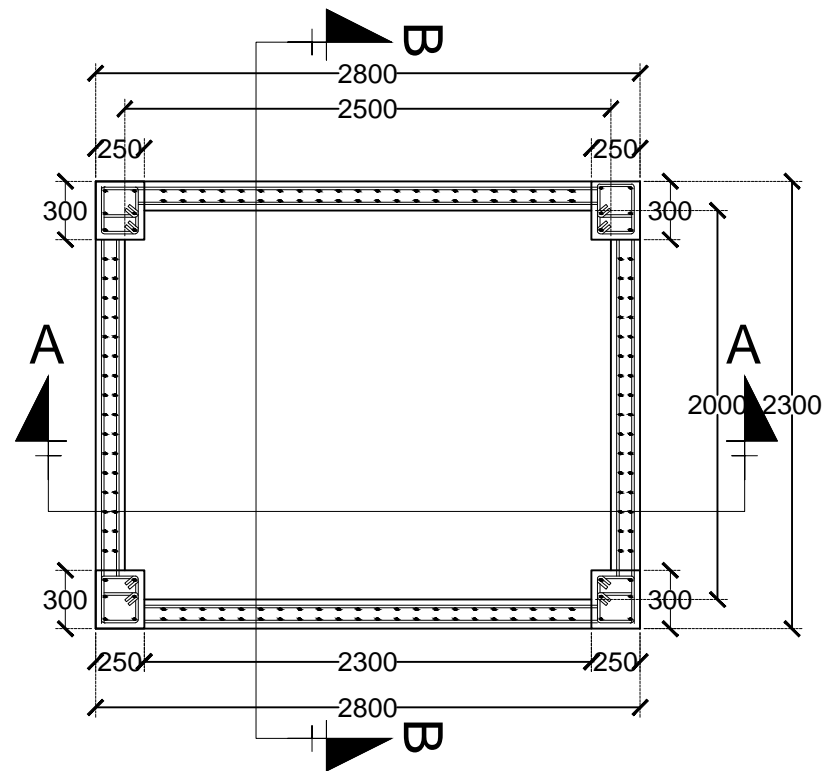
ELEVATOR TYPE : PASSENGER LIFT
LOAD CAPACITY (Kg) : 1150 Kg
SPEED : 1 M/S
OPENING MODE : CENTRE OPENNING
DOOR NET SIZE (mm) : 1000(w) x 2100(H)
CAR NET SIZE (mm) : 1800(w)x1500(d)x2300(h)
OVERHEIGHT (mm) : 4250 (H) (Recommended)
PITT DEPTH (mm) : 1000 mm
HF5J9@@B; ' < 9- < Hfa a L. '- '%SS'a a
FLOOR / STOP : 2 / 2
MACHINE TYPE : ROOMLESS MACHINE
MOTOR POWER (Kw) :
RATED CURRENT (A) :
MAIN POWER PUPPLY : 380V AC 50HZ 3P
LIGHT POWER SUPPLY : 220V 50HZ
SHAFT HOISTWAY : 2500(W) X 2000(D)
MACHINE ROOM : -



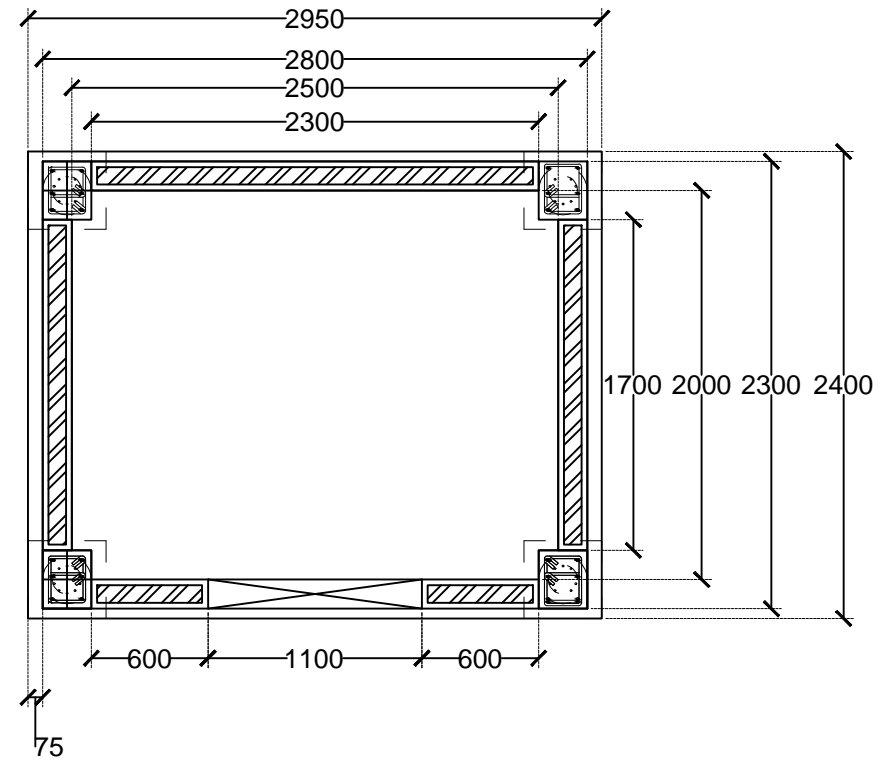
PROYEK/ PROJECT
DIREKTORAT JENDRAL KEBUDAYAAN
GALERI NASIONAL REPUBLIK INDONESIA

PERENCANAAN GEDUNG A DAN B
GALERI NASIONAL REPUBLIK INDONESIA
PENGADAAN ELEVATOR UNIT 1

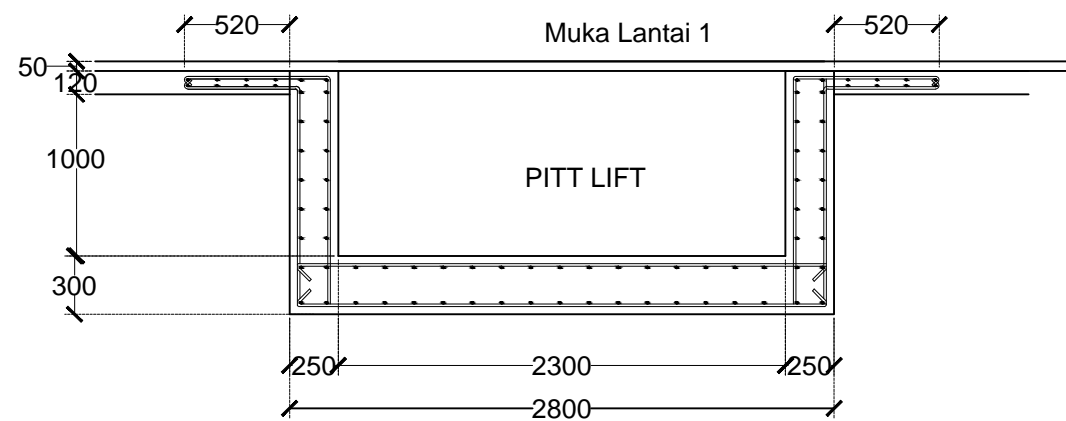
SKALA/ SCALE	-
TANGGAL/ DATE	05 September 2023
PERENCANA/ ARCHITECT	
DIGAMBAR/ DRAWN	KAMALUDIN, ST
DIPERIKSA/ CHECKED	ZULFIKRI, SE
DISETUJUI/ APPROVED	
CUSTOMER APPROVAL	PREPARED



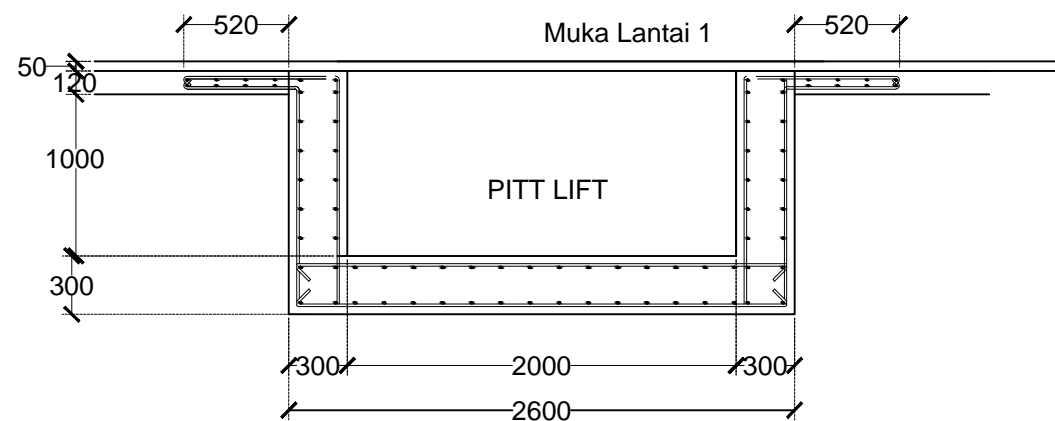
DENAH PITT LIFT
SKALA : NS



DENAH KOLOM
SKALA : NS



POTONGAN A
SKALA : NS



POTONGAN B
SKALA : NS

SPESIFIKASI

ELEVATOR TYPE : PASSENGER LIFT

LOAD CAPACITY (Kg) : 1150 Kg

SPEED : 1 M/S

OPENING MODE : CENTRE OPENNING

DOOR NET SIZE (mm) : 1000(w) x 2100(H)

CAR NET SIZE (mm) : 1800(w)x1500(d)x2300(h)

OVERHEIGHT (mm) : 4250 (H) (Recommended)

PITT DEPTH (mm) : 1000 mm

HF5J9@@B; ' < 9< < Hfa a L.' - '%SS'a a

FLOOR / STOP : 2 / 2

MACHINE TYPE : ROOMLESS MACHINE

MOTOR POWER (Kw) :

RATED CURRENT (A) :

MAIN POWER PUPPLY : 380V AC 50HZ 3P

LIGHT POWER SUPPLY : 220V 50HZ

SHAFT HOISTWAY : 2500(W) X 2000(D)

MACHINE ROOM : -



PROYEK/ PROJECT

DIREKTORAT JENDRAL KEBUDAYAAN
GALERI NASIONAL REPUBLIK INDONESIA

PERENCANAAN GEDUNG A DAN B
GALERI NASIONAL REPUBLIK INDONESIA
PENGADAAN ELEVATOR UNIT 1

SKALA/ SCALE	-
TANGGAL/ DATE	05 September 2023
PERENCANA/ ARCHITECT	
DIGAMBAR/ DRAWN	KAMALUDIN, ST
DIPERIKSA/ CHECKED	ZULFIKRI, SE
DISETUJUI/ APPROVED	
CUSTOMER APPROVAL	PREPARED