

KEYPLAN

KETERANGAN

CATATAN :

REVISI	
KETERANGAN	TANGGAL
	24 - 10 - 2023

SHOP DRAWING

NAMA PROYEK

HOME SENTUL
BOGOR - JAWA BARAT

SPESIFIKASI

Elevator Type : Passenger Elevator
Load Capacity (Kg) : 450
Speed (m/s) : 1
Opening Mode : 2 panel Centre Opening
Door Size WxH (mm) : 800 x 2100
Car Size WxDxH (mm) : 1100x 1000 x 2400
Over Head (mm) : 4500
Pitt Depth (mm) : 1500
Travelling Height (mm) : 12000
Quantity Floor / Stop : 3 / 3
Machine Type : Roomless Machine
Motor Power (Kw) :
Rated Current (A) :
Main Power Supply : 380V AC 50Hz 3P
Light Power Supply : 220V 50Hz
Shaft Hoistway (WxD) : 2000 x 1800
Machine Room (WxDxH) : -

PENYEDIA JASA MANUFACTURE



PT. RITZ ELEVATOR

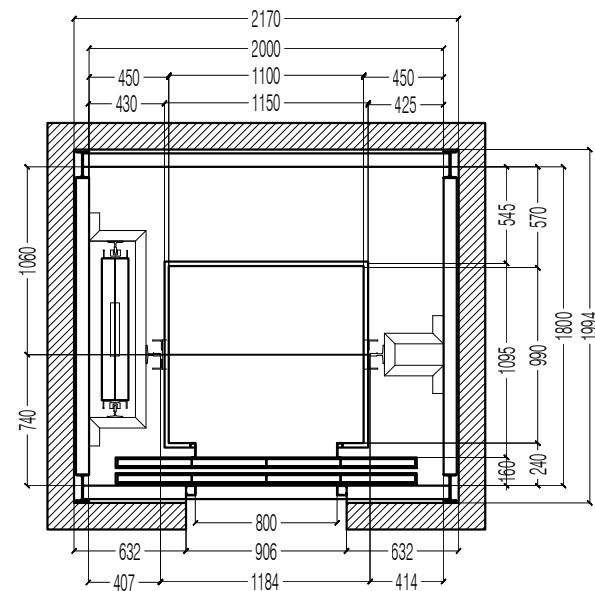
Dzulfikri. S.E.
Direktur Utama

Kamaludin. S.T.
Drafter

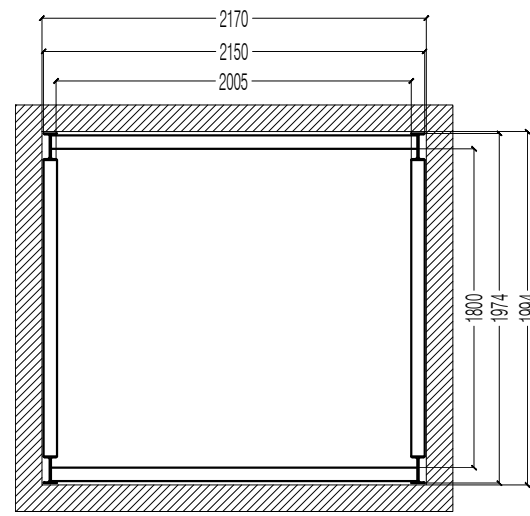
JUDUL GAMBAR

STEEL STRUCTURE SHAFT HOISTWAY
PASSENGER ELEVATOR KAPASITAS
450Kg.

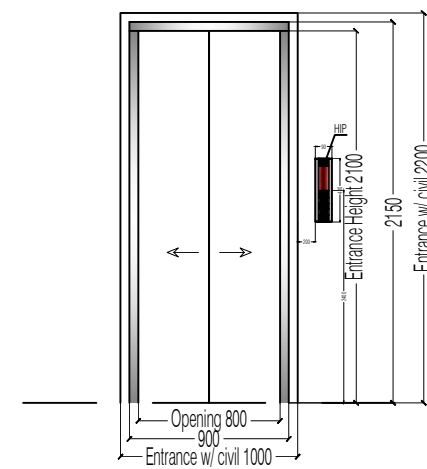
NOMOR GAMBAR	STATUS	SKALA
01		1 : 50



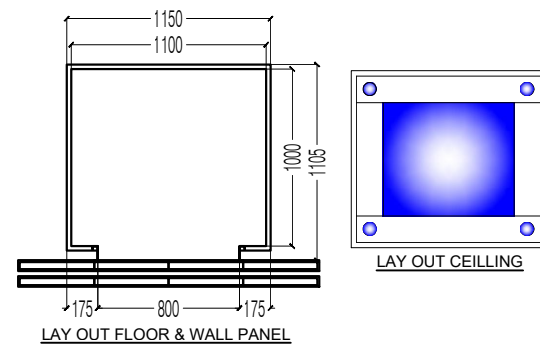
SHAFT HOISTWAY & ELEVATOR SPESIFICATION



SHAFT HOISTWAY (STRUCTURE PLANN)

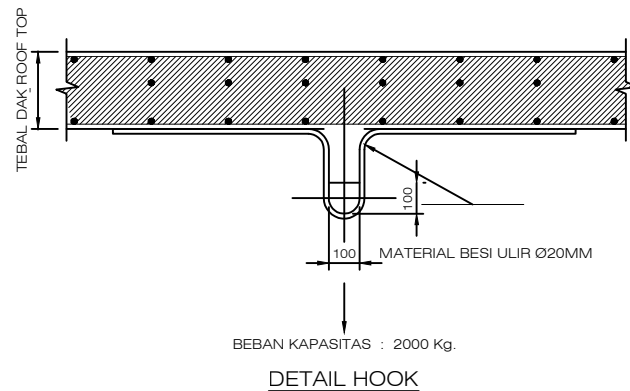
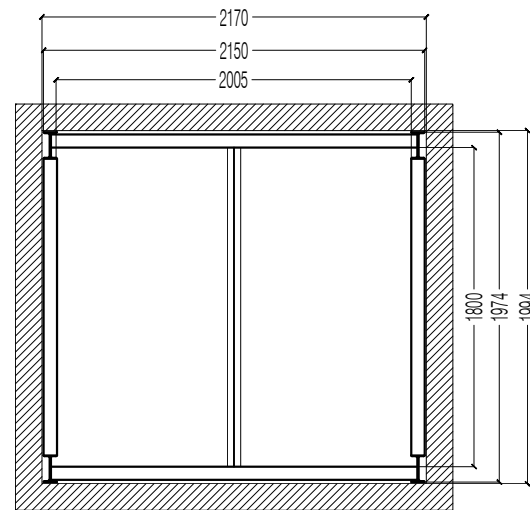


DETAILED III ENTRANCE PLAN (CENTRE OPENING)



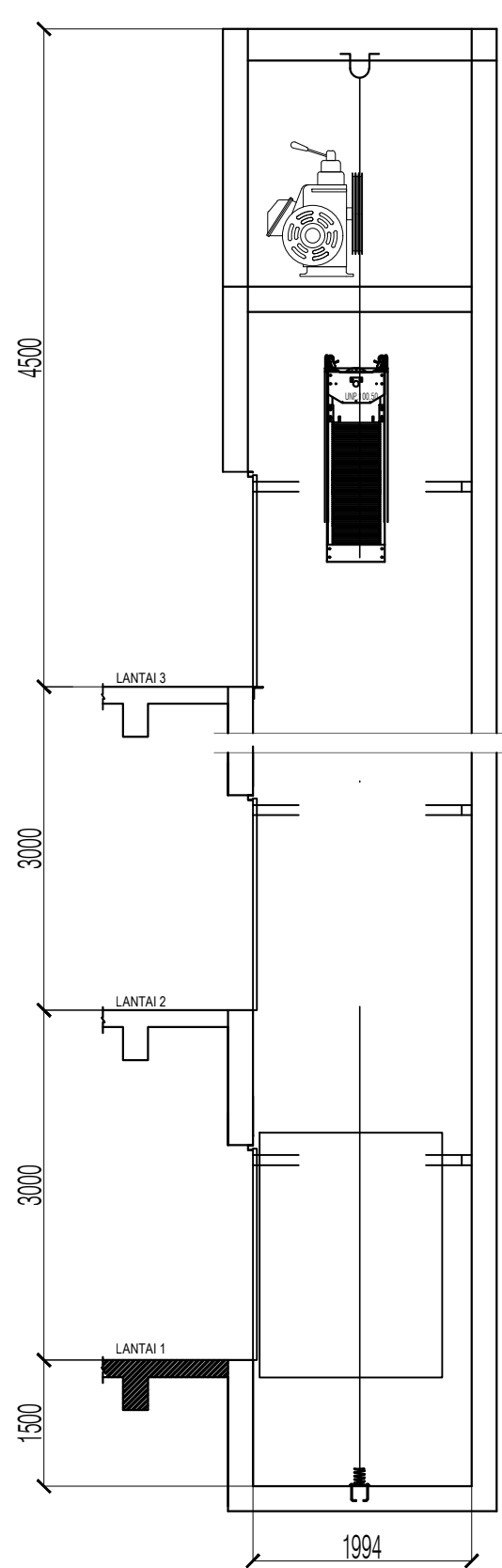
LAY OUT FLOOR & WALL PANEL

LAY OUT CEILING

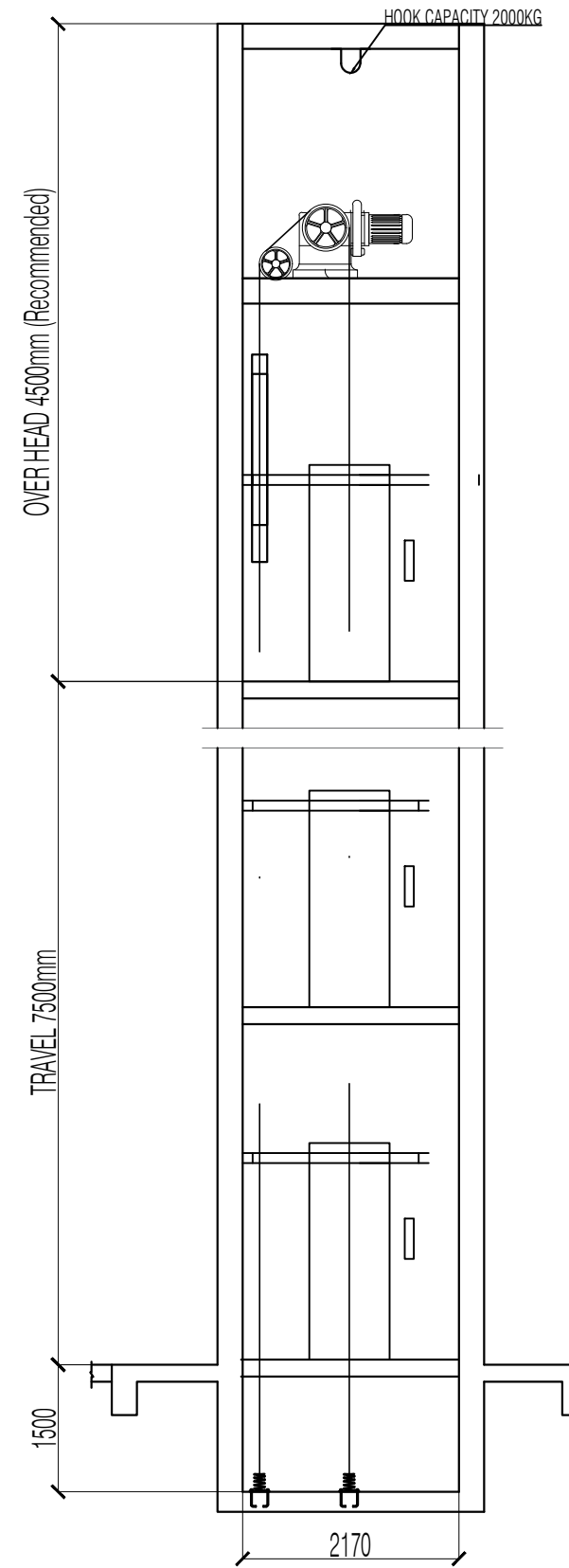


BEBAN KAPASITAS : 2000 Kg.

DETAIL HOOK



DETAILED OF SHAFT HOISTWAY PLANN I FRONT VIEW



DETAILED OF SHAFT HOISTWAY PLANN II SIDE VIEW

KEYPLAN

KETERANGAN

CATATAN :

REVISI	
KETERANGAN	TANGGAL
	24 - 10 - 2023

SHOP DRAWING

NAMA PROYEK

HOME SENTUL
BOGOR - JAWA BARAT

SPESIFIKASI

- Elevator Type : Passenger Elevator
- Load Capacity (Kg) : 450
- Speed (m/s) : 1
- Opening Mode : 2 panel Centre Opening
- Door Size WxD (mm) : 800 x 2100
- Car Size WxDxH (mm) : 1100x 1000 x 2400
- Over Head (mm) : 4500
- Pitt Depth (mm) : 1500
- Travelling Height (mm) : 12000
- Quantity Floor / Stop : 3 / 3
- Machine Type : Roomless Machine
- Motor Power (Kw) :
- Rated Current (A) :
- Main Power Supply : 380V AC 50Hz 3P
- Light Power Supply : 220V 50Hz
- Shaft Hoistway (WxD) : 2000 x 1800
- Machine Room (WxDxH) : -

PENYEDIA JASA MANUFACTURE



PT. RITZ ELEVATOR

Dzulfikri. S.E.
Direktur Utama

Kamaludin. S.T.
Drafter

JUDUL GAMBAR

STEEL STRUCTURE SHAFT HOISTWAY
PASSENGER ELEVATOR KAPASITAS
450Kg.

NOMOR GAMBAR	STATUS	SKALA
01		1 : 50